

CLASSIC



WALK-THROUGH METAL DETECTOR

- High level of Detection Uniformity
- Leading Edge Technology
- Quick installation
- Easy to use
- Suitable for portable applications
- No Maintenance required
- Affordable pricing

APPLICATIONS

- ✓ GOVERNMENT AGENCIES
- ✓ SCHOOLS
- ✓ HOTELS
- ✓ AMUSEMENT PARKS
- ✓ PUBLIC EVENTS
- ✓ NIGHT CLUBS



EASY
TO USE

EASY
TO
INSTALL

THE MOST USER FRIENDLY
WALK-THROUGH METAL DETECTOR



www.ceia.net



Threat Detection through Electromagnetics

CLASSIC

WALK-THROUGH METAL DETECTOR



The Classic is a Walk-Through Metal Detector designed and engineered to meet the specific security needs of public facilities such as schools, hotels, amusement parks and city halls.

The Classic Metal Detector combines the required Security with a high level of operating efficiency. The leading edge technology features a high flow rate of people through the gate with the minimum number of nuisance alarms, as personal items such as coins, keys and belt buckles can pass through the magnetic field without causing an alarm.

The Classic Metal Detector is compact and lightweight, making this portable unit adaptable to any surroundings. The patented cylinder design is aesthetically suitable for the most discrete applications.



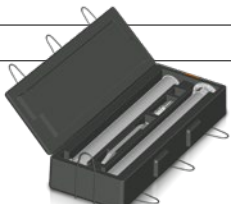
This security equipment does not require any special training for normal use, the most "user friendly" walk-through metal detector in the industry.

CEIA Metal Detectors have been selected by leading security agencies worldwide to protect high-ranking government officials. The Classic conforms to all International Security Standards and is capable of detecting both magnetic and non-magnetic weapons.

When security, operating efficiency and affordable pricing are required, the CEIA Classic Metal Detector is the obvious solution.

SPECIFICATIONS

MAIN FEATURES	Digitally-adjustable sensitivity with a wide range of values	Control unit incorporated into the detector
	Programming access protected by hardware key	No initial or periodic calibration
	All functions programmable and controlled by a microprocessor	Easy maintenance: modular control unit for a rapid replacement
	Professional high integration and reliable electronics	Color: light grey RAL 7040
INSTALLATION DATA	Multiple installations: automatic synchronization between two or more metal detectors with a reciprocal distance of down to 2" (5 cm) without the use of cables	
	Power Supply: 100/115/230 VAC, +10/-20%, 45 ÷ 65 Hz, 20 VA max	
	Operating temperature: -20°C to +70°C (-37°C to +70°C upon request)	
	Storage temperature: da -37°C a +70°C	
ALARM MODES	Relative humidity: 0 to 95% (without condensation)	
	High intensity display	
	Green and red metering signals proportional to the mass of the object detected	
	High acoustic intensity alarm signal	
CERTIFICATION AND CONFORMITY	Volume and tone of alarm signal can be programmed	
	Complies with Regulations relating to pacemakers, defibrillators or other vital support systems, pregnant women and magnetic storage media (CD, audio cassettes, video cassettes and similar)	
	Conforms to the current International Security Standards for Walk-Through Metal Detectors	
	Complies with EC Regulations and International Standards relating to Electrical Safety and Electromagnetic Compatibility (EMC)	

ACCESSORIES	Stabilizing Plates		Transport Bag: protects the Metal Detector during transport and storage	
	Test samples			
	Metal Detector Divesting Table: this article acts both as a spacer between the X-ray unit and the Metal Detector and as a temporary depository for metal personal effects			

CLASSIC/NAVY



The Classic/Navy model is particularly suitable for environments with limited headroom, and features an electronics unit in a Stainless Steel IP65 container.

UNDER THE ALARM THRESHOLD

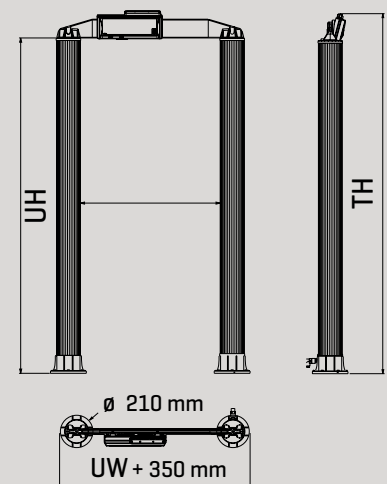
-  Small metal mass
-  Medium metal mass

OVER THE ALARM THRESHOLD

-  Medium metal mass
-  Large metal mass

GREEN AND RED METERING SIGNALS PROPORTIONAL TO THE METAL MASS DETECTED

DIMENSIONS (mm)



	CLASSIC	CLASSIC/NAVY
UW	720/820* mm	720/820* mm
UH	1965 mm	1835 mm
TH	2152 mm	2000 mm

* AVAILABLE ON REQUEST



COSTRUZIONI ELETTRONICHE INDUSTRIALI AUTOMATISMI
 Zona Industriale 54/56, 52041 Vicinaggio - Arezzo (ITALY)
 Tel.: +39 0575 4181 • Fax: +39 0575 418298 • E-mail: infosecurity@ceia-spa.com