



SMD600 Plus-MI2™

DUAL-SENSOR WALK-THROUGH DETECTOR



METAL DETECTOR

- Detection of all-metal weapons, including light alloys threats
- High-Throughput
- Multizone red signalling



CELL PHONES DETECTOR

- Detection of standard and miniaturized cell phones and smartphones
- Detection of magnetized items
- Multizone yellow signalling

APPLICATIONS

- ✓ CORRECTIONAL FACILITIES
- ✓ DATA-SENSITIVE MEETING ROOMS
- ✓ ACCESS RESTRICTIONS ENFORCEMENT OF WEAPONS, CELL PHONES AND SMARTPHONES
- ✓ LOSS PREVENTION OF ELECTRONICS DEVICES
- ✓ CORPORATE ANTI-ESPIONAGE



www.ceia.net

THREAT DETECTION THROUGH ELECTROMAGNETICS



The **SMD600 Plus - MI2** is optimised for the screening of people in applications where **simultaneous detection of all metal (magnetic and non-magnetic) firearms and cellphone/smartphone devices**, including the most miniaturized, low metal content versions, is required along **with high-throughput and a low nuisance alarm rate**.

THE SMD600 Plus – MI2™ COMBINES



The well renowned **weapons detection** and **personal metallic objects discrimination performances** of the **SMD600 Plus**, 288-channel, NIJ0601.02 fully compliant Walk-Through Metal Detector (WTMD).



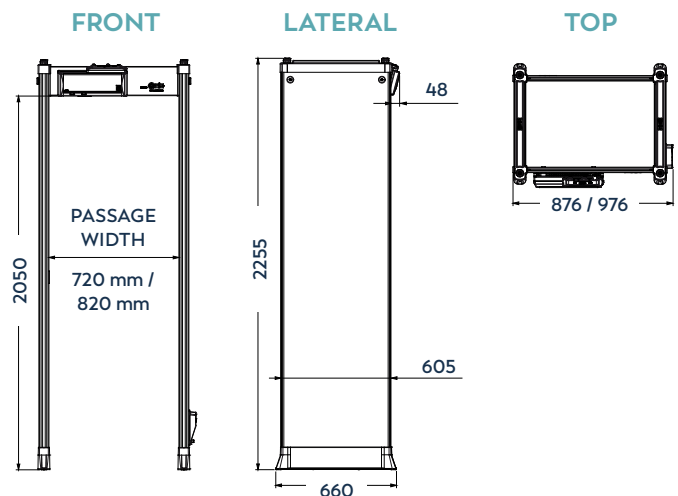
The **cellphone/smartphone detection and discrimination capabilities** of the new **MSD EVO™**, state-of-the-art magnetostatic 18-axes detector that provides unparalleled detection uniformity and immunity against interferences.

- ✓ **On its own, the CEIA SMD600 Plus WTMD is already a complete and efficient solution** for the high-sensitivity detection of any metal weapon and any cellphone/smartphone in applications, such as the correctional facilities, where the inmates to be inspected are metal free or almost metal-free.
- ✓ **The SMD600 Plus –MI2™ allows, in addition, the high-throughput inspection of visitors to correctional facilities or, in general, people in street clothes** in a standard checkpoint divestiture situation where detection of assembled/disassembled firearms and standard & miniaturized cellphones/smartphones is required with low nuisance alarm rate.
- ✓ **The SMD600 Plus –MI2™ also provides a specific optical and acoustical signaling** for either weapons or cellphones/smartphones, thus facilitating the secondary inspection performed by the security operators.

FEATURE HIGHLIGHTS

- **DETECTION TARGET**
All-metal weapons (magnetic and non-magnetic, including light alloys) and all cellphones/smartphones
- **OPERATIONAL USE**
High throughput screening of people in street clothes, under standard checkpoint divestiture procedures
- **APPLICATION FIELDS**
Visitors to correctional facilities, access to data-sensitive meeting rooms, access restrictions enforcement of weapons and cell phones, loss prevention of electronic devices, corporate anti-espionage
- **READY TO SHIP NOW**
- **VERIFIED AND APPROVED BY GOVERNMENTAL BODIES**

DIMENSIONS (mm)



CEIA - Zona Industriale 54, 52041 Vicinaggio - Arezzo (ITALY)
T +39 0575 4181 • F +39 0575 418298 • E infosecurity@ceia-spa.com

www.ceia.net

