

# SPECTRUM

6040

P3D

VMI's Spectrum 6040 P3D has technology capable of producing perspectives that capture the depth and detail of inspected volumes. Our innovative 3D perspective generation technology eliminates blind spots and increases visibility for easier threat identification. The Spectrum 6040 P3D increases the efficiency of inspection procedures without changing the operating routine.



For a safer world

# SPECTRUM 6040 P3D



## GENERAL DATA

- Dimensions:  
1960(L) / 926(W) / 1432(H) [mm]  
77,166" (L) / 36,457" (W) / 56,38" (H)
- Weight:  
500kg / 1102,31lbs
- Operating temperature and humidity:  
0°C to 40°C / 5% to 95%  
(non-condensing)
- Storage temperature and humidity:  
-40°C to 60°C / 5% to 95%  
(non-condensing)
- Power supply:  
110 - 127VAC / 208 - 240VAC  
(-15% to +10%); 50Hz/60Hz, +/-3Hz
- Power:  
740VA

## GENERAL SPECIFICATIONS

- Tunnel dimensions:  
620mm (W) / 420mm (H)  
24,41" (W) / 16,536" (H)
- Conveyor speed:  
0,22m/s (configurable)
- Conveyor height:  
812mm / 31,97"
- Maximum load on the conveyor:  
165kg | 363,763lbs
- Standard generator:  
160 kV operating at 150 kV
- High Power Generator  
180kV operating at 170 kV
- Wire resolution\*:  
40AWG
- Steel penetration\*  
42mm | 1.6" (150kV)  
44mm | 1.7" (170kV)
- Monitor:  
High resolution  
(configurable size)
- Cooling:  
Insulating oil with forced  
air cooling
- Beam orientation:  
Diagonal upward,  
3D Perspective

\* Specification according to Test Piece VMI

## STANDARD FUNCTIONS

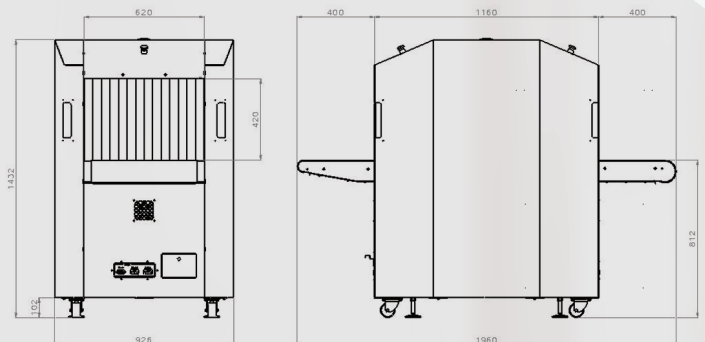
- Automatic discrimination of organic, inorganic and mixed materials by colorization
- Automatic image saving
- Baggage counter
- Continuous scanning
- Zoom higher than 128x
- Color or black / white image
- Edge highlight
- High penetration function
- Sharpness
- TIP threat image projection
- High density alert
- JPG, TIFF, BMP and VMI image export
- Network connection
- Real-time scanning
- Self-diagnosis system
- Color inversion
- Real-time image manipulation
- Automatic detection algorithm for drugs, explosives and high density materials
- Storage capacity over 200,000 images

## SAFETY

- Shielding:  
Dose below 1 $\mu$ Sv/h at 0.1m distance from the equipment in accordance with regulatory position CNEN 3.01 / 001: 2011

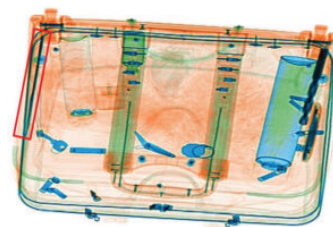
## OPTIONAL FUNCTIONS AND ACCESSORIES

- Customized painting
- Training software
- Local language
- Remote workstation
- ASTM standard test kit
- Modular roller table
- Lockable anti theft console with key
- Remote management software for multiple devices
- Camera
- Tunnel protection extension
- UPS
- Ability to integrate with conveyor system
- WiFi capability
- Integration with Garrett's walk-through metal detector portals
- ONVIF compatibility



## COMPARATION

2D



3D

